



LED Solar Area Light

BRIGHTEN YOUR LIFE

NEW LED TECHNOLOGY THAT ALLOWS THE
COEXISTENCE OF ENVIRONMENTAL
PROTECTION AND ENERGY SAVING

Benefits

1. Replace conventional Area Lights
2. Precision Die Cast Aluminum Housing
3. Fade Resistant Powder Coat Finish
4. Easy Installation
5. CE ROHS listed



BB-SLD-XXW-AR-C

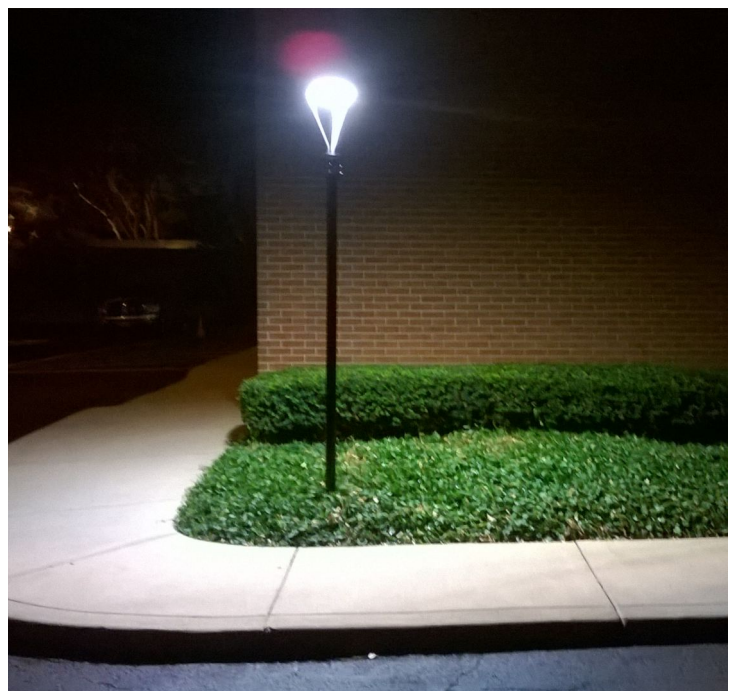
Features

1. Beam angle:120 degrees.
2. Aluminum die-casting heat sinks is good for heat dissipation.
3. It's major to replace the conventiona area light.
4. Green, energy saving, long and reliable life of 50,000 hours.
5. No RF interference, No IR/UV radiation ,no mercury pollution.
6. Wide colour availability in degrees Kelvin(K),2700-6700K.
7. Streamline exterior design, beautiful appearance.
8. Environment friendly ,energy saving (70~80%).
9. Special circuit design, each LED work separately,
avoiding the single broken LED influence problem.



Application

- 1.Area roadway/roadway lighting.
- 2.Parking areas lighting.
- 3.Airports lighting.
- 4.Streetscapes lighting.
- 5.Campuses lighting.

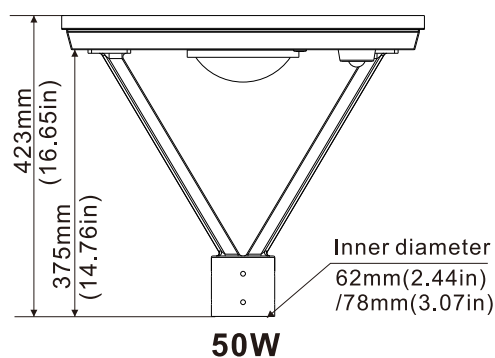
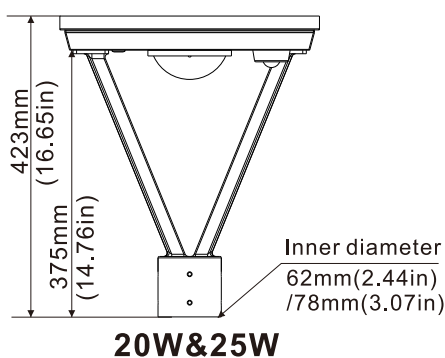
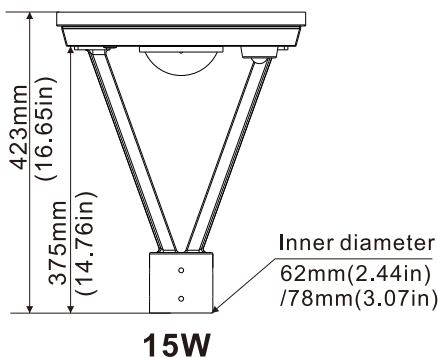
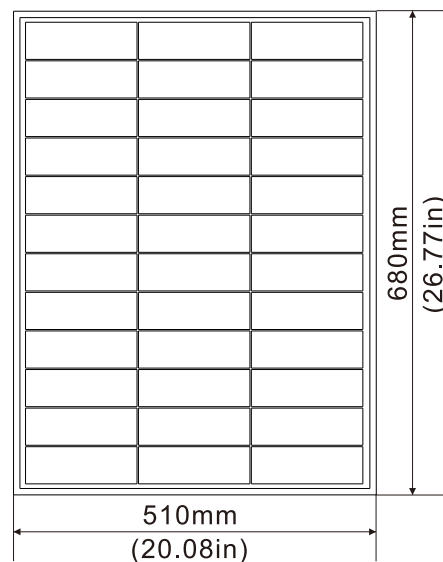
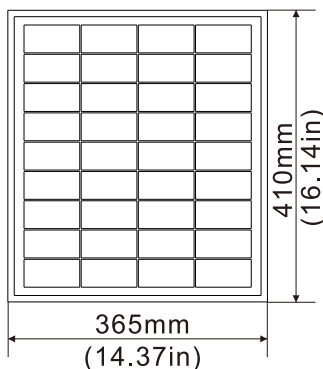
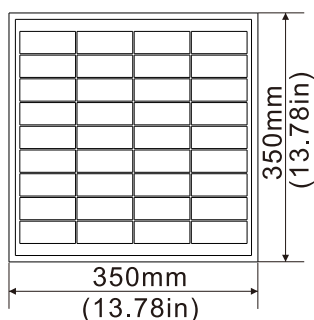


SPECIFICATIONS

LED MAX Power	15W	20W/25W	20W/25W	40W	50W
Model	BB-SLD-15W-AR-C	BB-SLD-20W-AR-C BB-SLD-25W-AR-C	BB-SLD-20W-AR-C BB-SLD-25W-AR-C	BB-SLD-40W-AR-C	BB-SLD-50W-AR-C
Solar panel Max power	18V/18W	18V/27W	18V/27W	18V/45W	18V/60W
Luminous Flux	3000lm	20W:2500lm 25W:3125lm	20W:3000/4000lm 25W:3750/5000lm	5000lm	7500lm
Luminous Efficacy	200lm/w	125lm/w	20W&25W:150lm/w 20W&25W:200lm/w	125lm/w	150lm/w
Mounting Height	3-4m	3-5m	3-5m	6-7m	8-9m
Space Between Light	5-10m	10-15m	10-15m	15-20m	20-30m
Solar Panel Dimension	350*350*41mm		410*365*41mm		680*510*41mm
Sensor	Default:PIR Sensor&Time Controller together.				
Controller	PWM controller, MPPT controller optional				
Battery	Ternary Li-ion battery, LiFePO4 battery optional				
Discharge Time	more than 10-12hours				
Charge Time	6-7hours(with enough strong shine)				
Solar Cell	High efficiency imported silicon solar cell				
Light Source	SMD LED				
Operation Temp.	-40 to +45°C				
CCT	2700K SW / 3000K WW / 4100K NW / 5000K DW / 5700K CW				
Life Span	50,000 hours				
IP	65				
Beam Angle	120°				
Warranty	3Years				
Other	Mains complementary solar energy is available,pls contact sales for this function price.				

DIMENSIONAL DRAWING

*If the customer does not specify a requirement, the inner diameter defaults to 62mm.



WORKING CHARACTERISTICS

Default setting as below :

Timmer Control & PIR Sensor Control

- 1.If with insufficient ambient light,sensored dark,lamp will on. First Time Phase 4 hours , When motion is detected,it will 100% brightness. When no motion detected after hold time 30s, and then switches to 30% brightness after stand-by period.
- 2.Second Time Phase 3 hours.When motion is detected,it will 60% brightness. When no motion detected after hold time 30s,and then switches to 20% brightness after stand-by period.
- 3.Third Time Phase 3 hours.When motion is detected,it will 30% brightness. When no motion detected after hold time 30s, and then switches to 20% brightness after stand-by period.
- 4.Forth Time Phase 6 hours.When motion is detected,it will 70% brightness. When no motion detected after hold time 30s,and then switches to 30% brightness after stand-by period.
- 5.While sensed daytime,lamp will off.

Note : IoT Smart Control , MPPT Smart Control all available in 20w 25w 50w. If you need know more,pls contact salesman.

PROJECTS

By using our 25W Area Light to replace 75W Metal Halide bulb for parking area lighting fixtures,the customer is now able to save a lot per month from his electric bill.

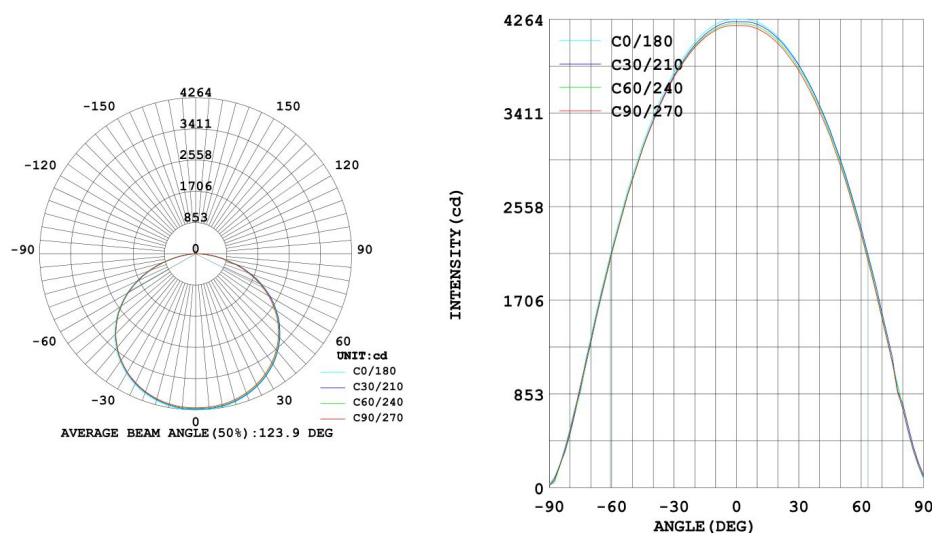


25W LED = 75W MH

Note:

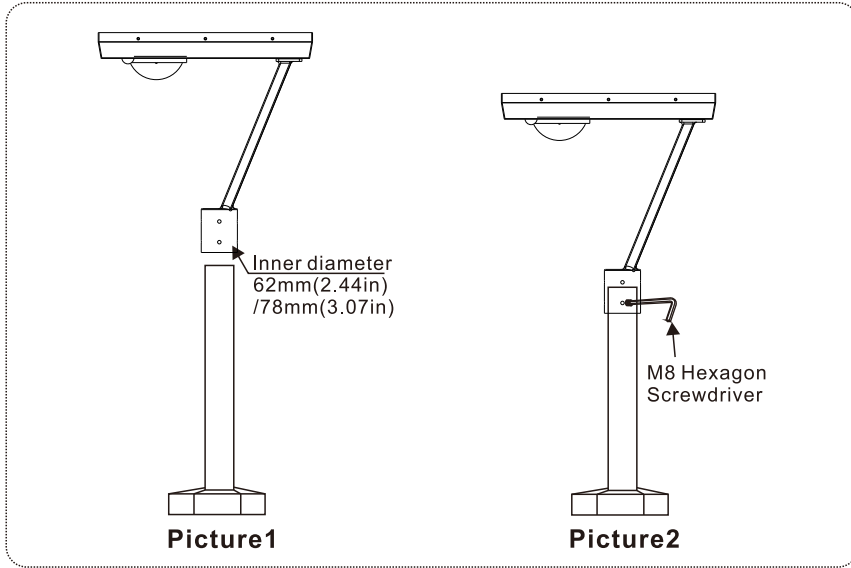
- Don't take the LED lamp apart.
- The LED lamp must work under the right voltage according to the specification.

LUMINOUS INTENSITY DISTRIBUTION



INSTALLATION

Pole mounting(no wiring)



Step1: Turn off the power before installation.

Step2: Secure the Tenon Pole Adaptor and pole with 6 screws (Hexagon socket screws M8*20).

Step3: Check that all screws are not loose ,and then complete the pole mounting.

PACKING INFO



Item	Packaging	Carton Size(mm) (L*W*H)	N.W	G.W	Volume weight
15W/20W/25W	1pc/CTN	430*430*220mm	4.5kg	5.5kg	8.2kg
20W/25W/40W	1pc/CTN	480*430*220mm	7.5kg	8.5kg	9.1kg
50W	1pc/CTN	760*590*220mm	14.5kg	15.5kg	19.8kg