



# LED Pizza Light

## BRIGHTEN YOUR LIFE

NEW LED TECHNOLOGY THAT ALLOWS THE COEXISTENCE OF ENVIRONMENTAL PROTECTION AND ENERGY SAVING

### Benefits

1. MH/HPS/HID/MHL/CFL lamp retrofit
2. Screw Base Direct Install by bypass ballast
3. 100% Pure Aluminum Fins Heat Sink
4. Universal Base E26/E27/E39/E40
5. ETL CETL DLC CE ROHS listed



60W-150W

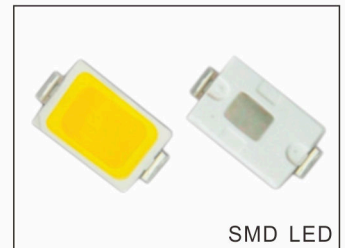


370W-480W

BB-YPD-XXX-A

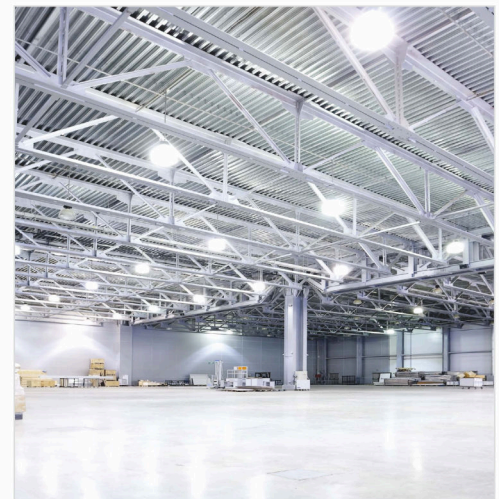
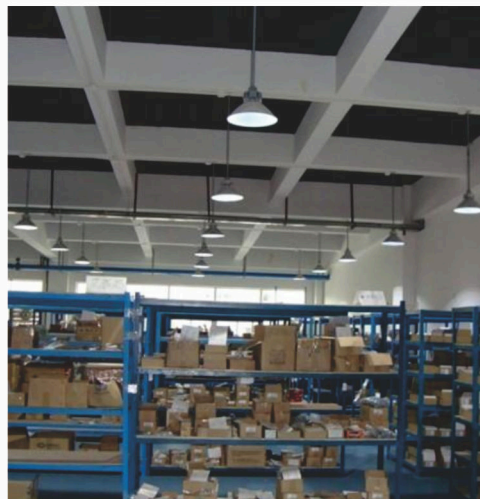
## Features

1. Beam angle:120 degrees.
2. Aluminum fins heat sinks is good for heat dissipation.
3. It's major to replace the CFL/MH/HID/HPS.
4. Green, energy saving, long and reliable life of 50,000 hours.
5. No RF interference, No IR/UV radiation ,no mercury pollution.
6. Wide colour availability in degrees Kelvin(K),2700-6700K.
7. Streamline exterior design, beautiful appearance.
8. Environment friendly ,energy saving (70~80%).
9. Special circuit design, each LED work separately, avoiding the single broken LED influence problem.



## Application

1. Area Lighting/Street Lighting.
2. Garage Lighting/Ceiling Lighting.
3. Warehouse Lighting.
4. High/Low Bay Lighting.

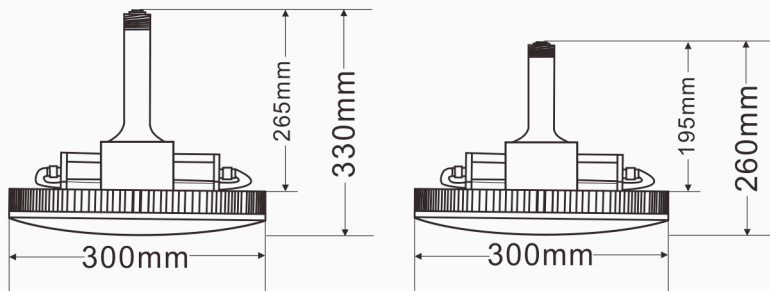


# SPECIFICATIONS

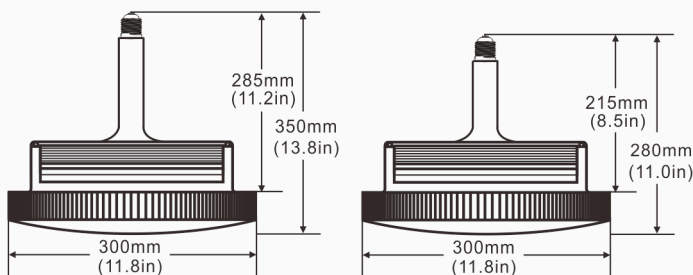
Power	60W	80W	100W	120W	150W	370W	480W
Model	BB-YPD-022-A	BB-YPD-023-A	BB-YPD-024-A	BB-YPD-025-A	BB-YPD-026-A	BB-YPD-370W	BB-YPD-480W
Luminous Flux	7200lm	9600lm	12000lm	14400lm	18000lm	44400lm	57600lm
Replacement	HPS 175W	HPS 250W	HPS 300W	HPS 400W	HPS 600W	HPS 1200W	HPS 1500W
Poles	L: Long Pole		S: Short Pole				
Voltage	LV:100-277VAC		HV:200-480VAC				
Frequency	50-60HZ						
Light Source	SMD LED						
Luminous Efficacy	>120lm/w						
Operation Temp.	-40 to +45°C						
CCT	2700K SW / 3000K WW / 4100K NW / 5000K DW / 5700K CW						
CRI	85						
Life Span	50,000 hours at 25°C						
Driver	UL listed power supply						
Dimming	No						
Beam Angle	120°						
Lamp Base	E26/E27/E39/E40						
PF	>0.95						
Warranty	5Years						

# DIMENSIONAL DRAWING

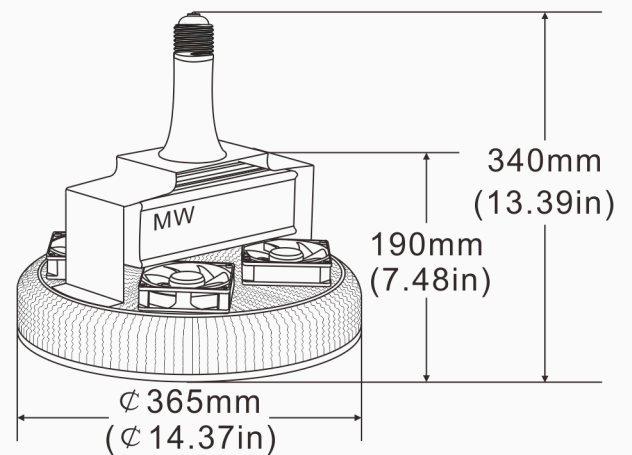
Dimensions with cover



**60W/80W/100W**



**120W/150W**

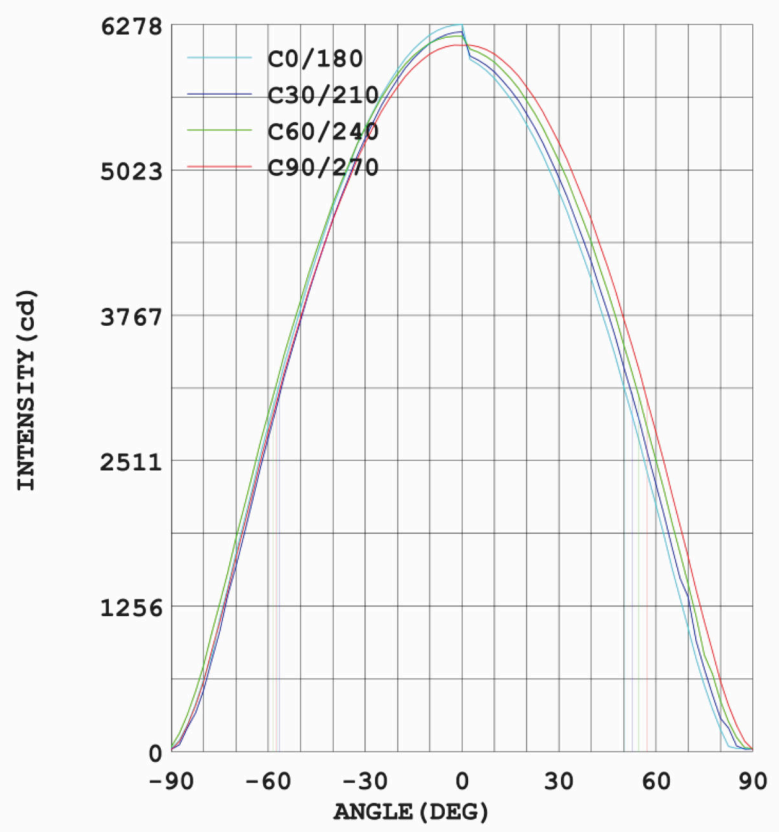
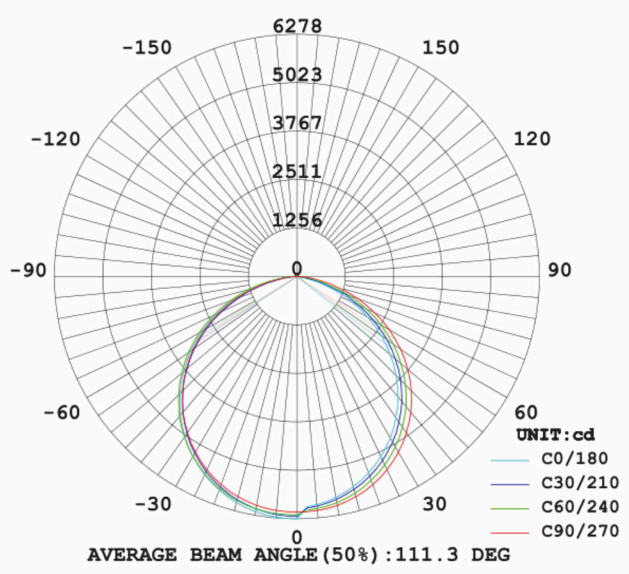


**370W-480W**

\* The height of the cover is 30mm(1.18in).

\* Dimensions without cover is 30mm less than the height above, the others are the same.

# LUMINOUS INTENSITY DISTRIBUTION



# PROJECTS

By using our 120W Pizza Light to replace 400W Metal Halide bulb for warehouse high bay lighting fixtures, the customer is now able to save a lot per month from his electric bill.



**120W LED = 400W MH**

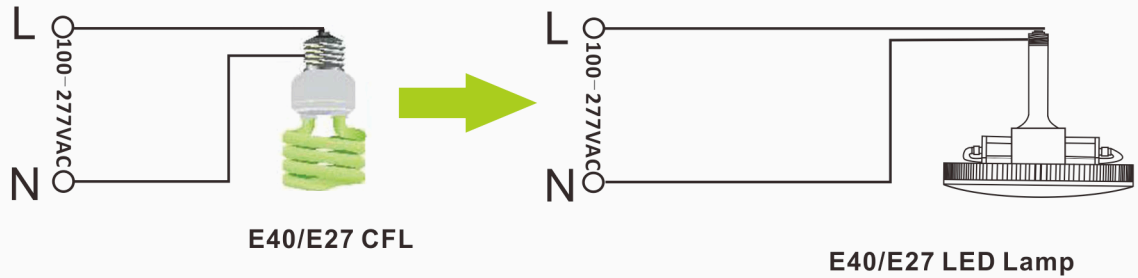
## Note:

- Don't take the LED lamp apart.
- The LED lamp must work under the right voltage according to the specification.
- Must remove the Ballast, Capacitor, Ignitor before installing our LED Light.

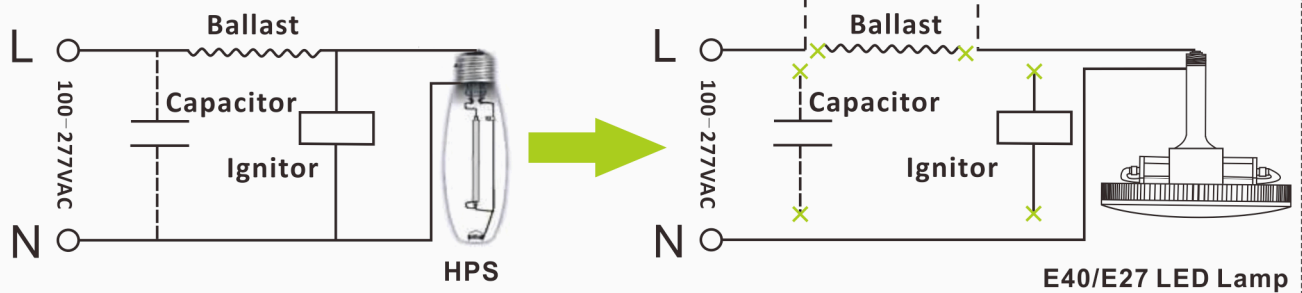
# INSTALLATION

Normally. The traditional lamp has the ballast or capacitor or ignitor, like HPS, MH.

## Replace E40/E27 CFL

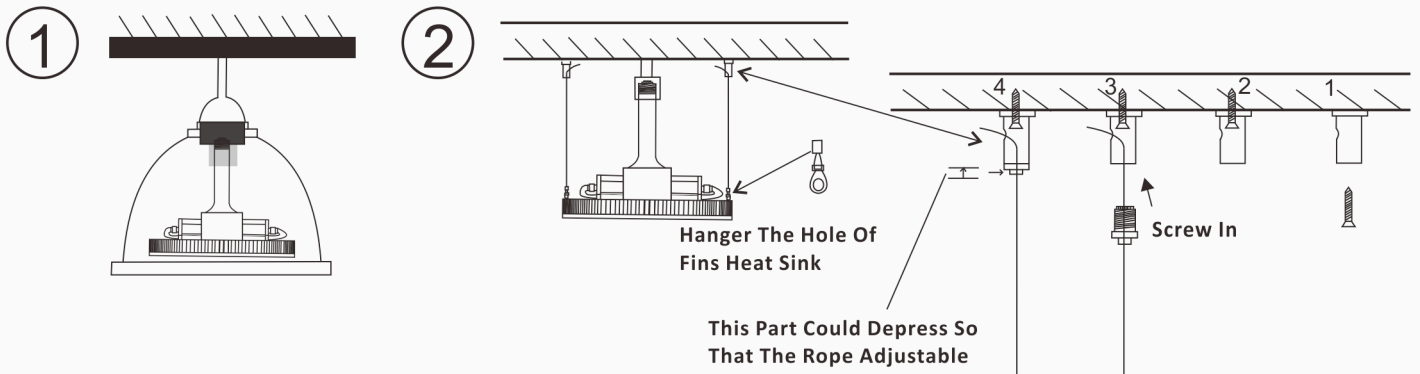


## Replace HPS/MH



Note: remove the Ballast, Capacitor parts

E27/E40 Pizza Light has two kinds of installation:



# PACKING INFO



	Packaging	Carton Size(mm) (L*W*H)	N.W	G.W	Volume weight
60W-150W	I) 2pcs/CTN	510*365*365mm	5.0kg	6.5kg	17.5kg
	II) 3pcs/CTN	510*365*365mm	10.0kg	12.0kg	17.5kg
	III) 4pcs/CTN	510*365*365mm	10.0kg	12.0kg	17.5kg
370W-480W	IV) 2pcs/CTN	550*430*430mm	13.0kg	14.0kg	23.0kg

I ---Complete packing

II ---Packing with long stem off(120W-150W,without cover)&(all with cover)

III---Packing with long stem off(60W-100W,without cover)

IV---Packing with long stem off(300-480W)