

## Features 48W-130W

- ★ Above 120lm/w for light fixture
- ★ Glass Lens optional for 48W-100W
- ★ Unique design of heat sink ,energy-saving
- ★ Stable and durable, easy installment and maintenance
- ★ DLC ETL+Philips+5 years warranty



## Certificate

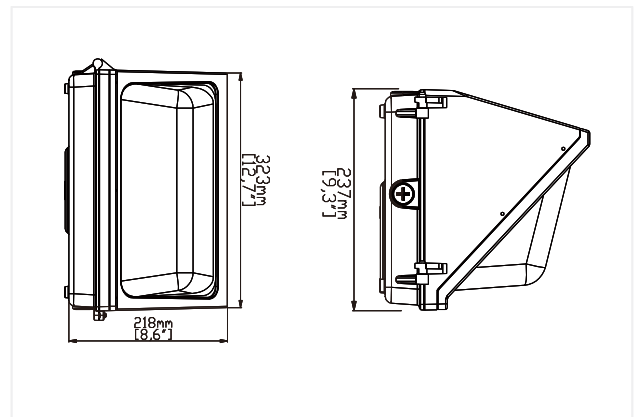


## Specifications

Item Number	Wattage	Voltage	Power Factor	Lumen	CRI	CCT	LED Chips	IP Rated	Life Span
OLL-48W	48W	100-277Vac	>0.95	5800lm	Ra>70	3000K-6000K	Philips	IP65	>50000Hrs
OLL-60W	60W	100-277Vac	>0.95	7300lm	Ra>70	3000K-6000K	Philips	IP65	>50000Hrs
OLL-60WHV	60W	220-480Vac	>0.95	7300lm	Ra>70	3000K-6000K	Philips	IP65	>50000Hrs
OLL-80W	80W	100-277Vac	>0.95	9600lm	Ra>70	3000K-6000K	Philips	IP65	>50000Hrs
OLL-100W	100W	100-277Vac	>0.95	12000lm	Ra>70	3000K-6000K	Philips	IP65	>50000Hrs
OLL-90W	90W	100-277Vac	>0.95	10800lm	Ra>70	3000K-6000K	Philips	IP65	>50000Hrs
OLL-130W	130W	100-277Vac	>0.95	15600lm	Ra>70	3000K-6000K	Philips	IP65	>50000Hrs

## Packaging

Item Number	Wattage	Piece	Carton size	GW(kg)
OLL-48W	48W	1 pcs/CTN	41*29*26.5CM	3.5kg
OLL-60W	60W	1 pcs/CTN	41*29*26.5CM	3.5kg
OLL-60WHV	60W	1 pcs/CTN	41*29*26.5CM	3.8kg
OLL-80W	80W	1 pcs/CTN	41*29*26.5CM	3.8kg
OLL-100W	100W	1 pcs/CTN	41*29*26.5CM	4.1kg
OLL-90W	90W	1 pcs/CTN	41*29*26.5CM	3.9kg
OLL-130W	130W	1 pcs/CTN	41*29*26.5CM	4.4kg



Note: 1kg heavier if 48W-130W with glass lens

# Two lens for options

PC Lens



48-130W

Glass Lens



48W-100W



Optional Accessory



Photocell 1



Photocell 1 for 48W&60W



Photocell 2 for 80W-130W



Photocell 2



Shorting Cap



Vandal Guard

