

# LED CANOPY(EGL03)



## Applications:

Parking structures, storage areas, shopping area walkways, entryway, and low level security.

## Features

- Sealed die-casting profile for indoor and outdoor applications.
- Voltage is 120-277V & 347V.
- Lumen output from 3500-11600lm with efficacy up to 129lm/W.
- Optional Parking Garage Photometry or Low Bay Photometry as per application.
- Increase energy savings with bi-level Motion sensor.
- Replacing 100W MH and 175W MH.
- Operating temperature is -40°C to 45°C(-40°F to 113°F).
- UL/cUL wet location and DLC qualified.



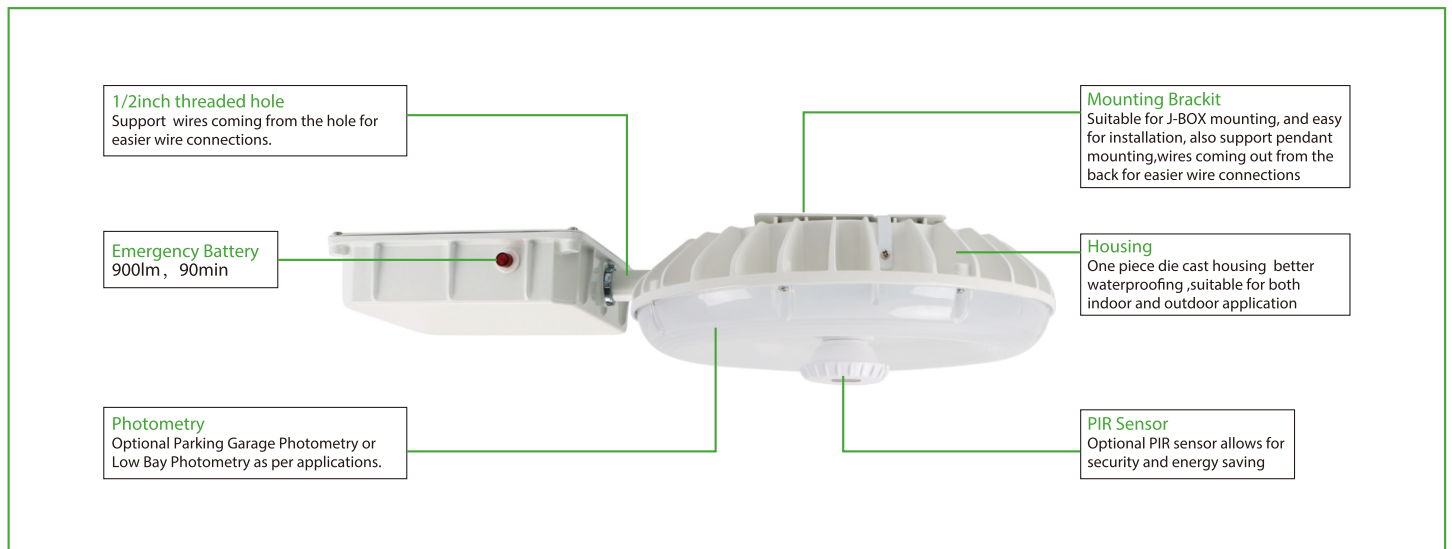
30W/45W/50W/60W/65W



30W/45W/50W/60W/65W



90W



# PERFORMANCE DATA

			4000K(70CRI)		5000K(70CRI)	
SYSTEM WATTS	PHOTOMETRY	VOLTAGE	LUMENS	LPW	LUMENS	LPW
30W	Parking Garage	120-277VAC	3500lm	117lm/W	3600lm	120lm/W
	Low Bay	120-277VAC	3800lm	127lm/W	3800lm	127lm/W
45W	Parking Garage	120-277VAC	4900lm	109lm/W	5000lm	111lm/W
	Low Bay	120-277VAC	5500lm	122lm/W	5500lm	122lm/W
50W	Parking Garage	347VAC	4900lm	98lm/W	5000lm	100lm/W
	Low Bay	347VAC	5500lm	110lm/W	5500lm	110lm/W
60W	Parking Garage	120-277VAC	7000lm	117lm/W	7100lm	118lm/W
	Low Bay	120-277VAC	7600lm	127lm/W	7600lm	127lm/W
65W	Parking Garage	347VAC	7000lm	108lm/W	7100lm	109lm/W
	Low Bay	347VAC	7600lm	117lm/W	7600lm	117lm/W
90W	Parking Garage	120-277VAC	11400lm	127lm/W	11600lm	129lm/W

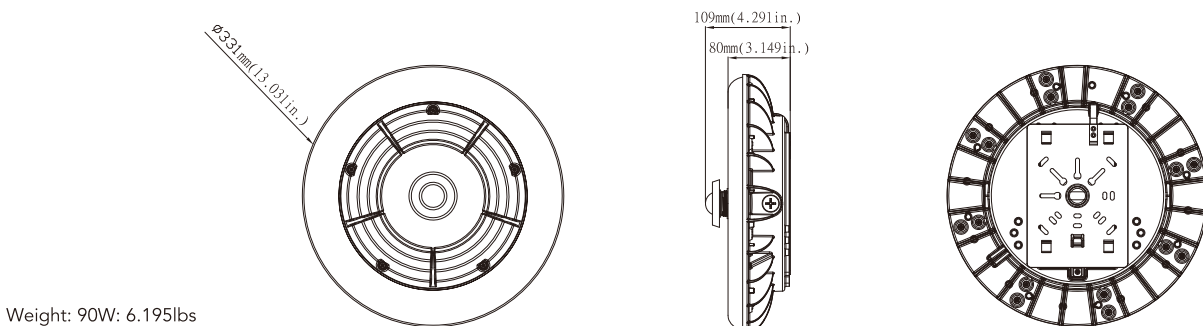
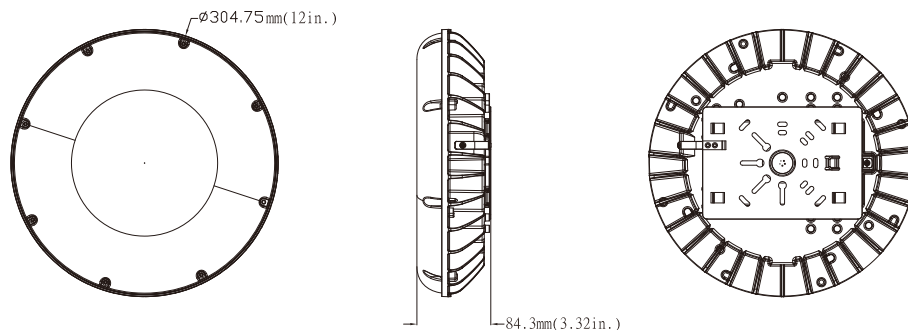
# ELECTRICAL DATA

Number Of Drivers	Driver Current (mA)	Nominal Power (W)	INPUT VOLTAGE (V)	CURRENT (Amps)
1	760	30	120	0.25
		30	208	0.14
		30	240	0.13
		30	277	0.11
1	1110	45	120	0.38
		45	208	0.22
		45	240	0.19
		45	277	0.16
1	1500	50	347	0.14
		60	120	0.50
		60	208	0.29
		60	240	0.25
1	2270	60	277	0.22
		65	347	0.19
		90	120	0.75
		90	208	0.43
1	2270	90	240	0.38
		90	277	0.32

# DIMENSION

unit: inch/mm

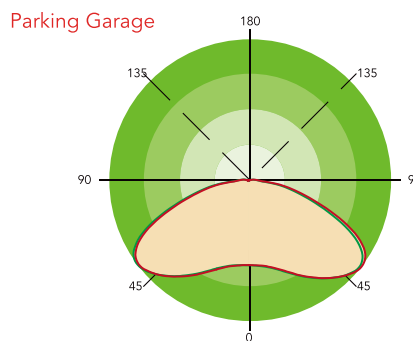
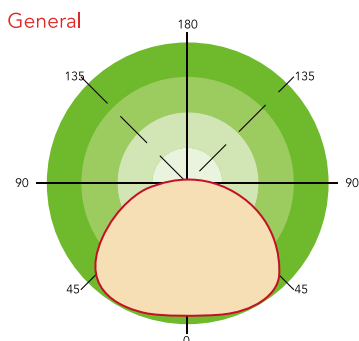
Weight: 30W: 5.29lbs  
45W: 5.4lbs  
60W: 5.73lbs



Weight: 90W: 6.195lbs

# CHOOSE YOUR OPTICAL DISTRIBUTION

Each optic is designed for a specific purpose. The general distribution allows a wash of light in any application. In addition, we designed an optic specially for parking garage.



## ORDERING GUIDE

Example: MCP0330W27V40KWMDPG

Fixture Type	Wattage	Voltage	CCT	Finish	Sensor (Option)	Dimmable	Photometry	Emergency Battery (Only for 45W)	Internal Code
<input type="text"/>	<input type="text"/>	<input type="text"/>	<input type="text"/>	<input type="text"/>	<input type="text"/>	<input type="text"/>	<input type="text"/>	<input type="text"/>	<input type="text"/>
<b>EGL03</b> EGL Series	<b>30</b> 30W <b>45</b> 45W <b>50</b> 50W <b>60</b> 60W <b>65</b> 65W <b>90</b> 90W	<b>27V</b> 120-277V <b>34V</b> 347V	<b>40K</b> 4000K <b>50K</b> 5000K	<b>D</b> Dark Bronze <b>B</b> Black <b>W</b> White	<b>Blank</b> Without Sensor <b>M</b> With Sensor	<b>D</b> 1-10V Dimmable <b>Blank</b> NON Dimmable	<b>PG</b> Parking Garage <b>LB</b> Low Bay	<b>B</b> Emergency Battery <b>Blank</b> Without Emergency Battery	<b>Blank</b> Alphanumeric

- Note: 1. The watt is 45W when the voltage is 120-277V, while the voltage is 347V, the watt is 50W.  
 2. The watt is 65W when the voltage is 120-277V, while the voltage is 347V, the watt is 65W.  
 3. Optional emergency battery only for 45W.  
 4. 90W is only for 120-277V and only has Parking Garage photometry.

## DLC Model NO.

SYSTEM WATTS	VOLTAGE	CCT	Dimmable	DLC NO.	DLC Classification
30W	120-277V	4000K	NO	MCP0330W27V40K[D, B, W][Blank, M]PG	Standard
		5000K	NO	MCP0330W27V50K[D, B, W][Blank, M]PG	Standard
		4000K	YES	MCP0330W27V40K[D, B, W][Blank, M]DPG	Premium
		5000K	YES	MCP0330W27V50K[D, B, W][Blank, M]DPG	Premium
45W	120-277V	4000K	NO	MCP0345W27V40K[D, B, W][Blank, M]PG	Standard
		5000K	NO	MCP0345W27V50K[D, B, W][Blank, M]PG	Standard
		4000K	YES	MCP0345W27V40K[D, B, W][Blank, M]DPG	Standard
		5000K	YES	MCP0345W27V50K[D, B, W][Blank, M]DPG	Standard
60W	120-277V	4000K	YES	MCP0360W27V40K[D, B, W][Blank, M]DPG	Premium
		5000K	YES	MCP0360W27V50K[D, B, W][Blank, M]DPG	Premium