



# LED Flood Light BRIGHTEN YOUR LIFE

NEW LED TECHNOLOGY THAT ALLOWS THE  
COEXISTENCE OF ENVIRONMENTAL  
PROTECTION AND ENERGY SAVING

## Benefits

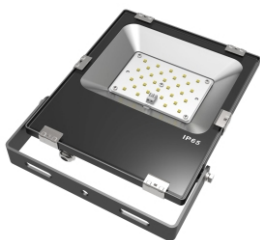
1. Replace conventional Flood Lights.
2. Precision Die Cast Aluminum Housing.
3. Fade Resistant Powder Coat Finish.
4. Easy Installation.
5. CE ROHS listed.



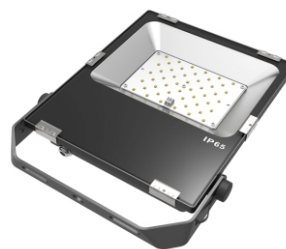
10W



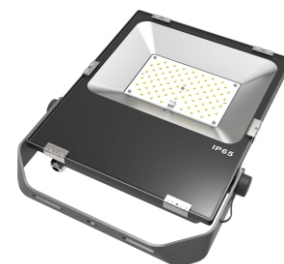
20W



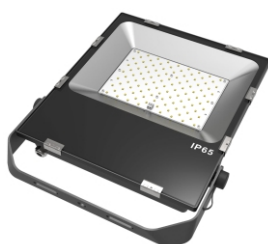
30W



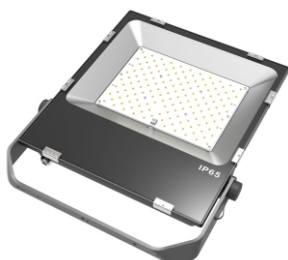
50W



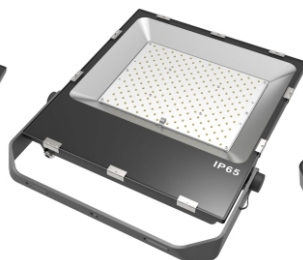
80W



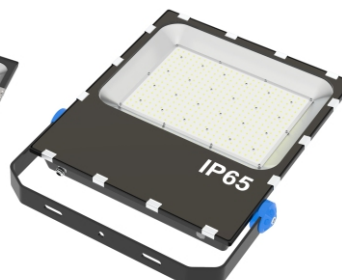
100W



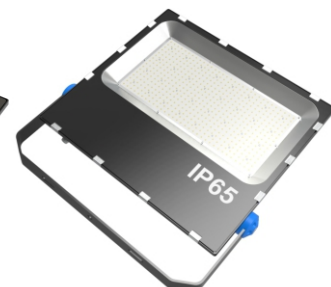
150W



200W



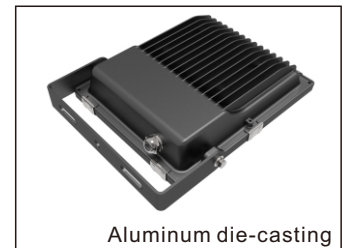
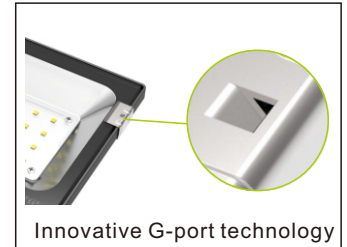
300W



450W

## Features

1. Beam angle:120 degrees.
2. Aluminum die-casting heat sinks is good for heat dissipation.
3. It's major to replace the conventiona flood light.
4. Green, energy saving, long and reliable life of 50,000 hours.
5. No RF interference, No IR/UV radiation ,no mercury pollution.
6. Wide colour availability in degrees Kelvin(K),2700-6700K.
7. Streamline exterior design, beautiful appearance.
8. Environment friendly ,energy saving (70~80%).
9. Special circuit design, each LED work separately, avoiding the single broken LED influence problem.



## Application

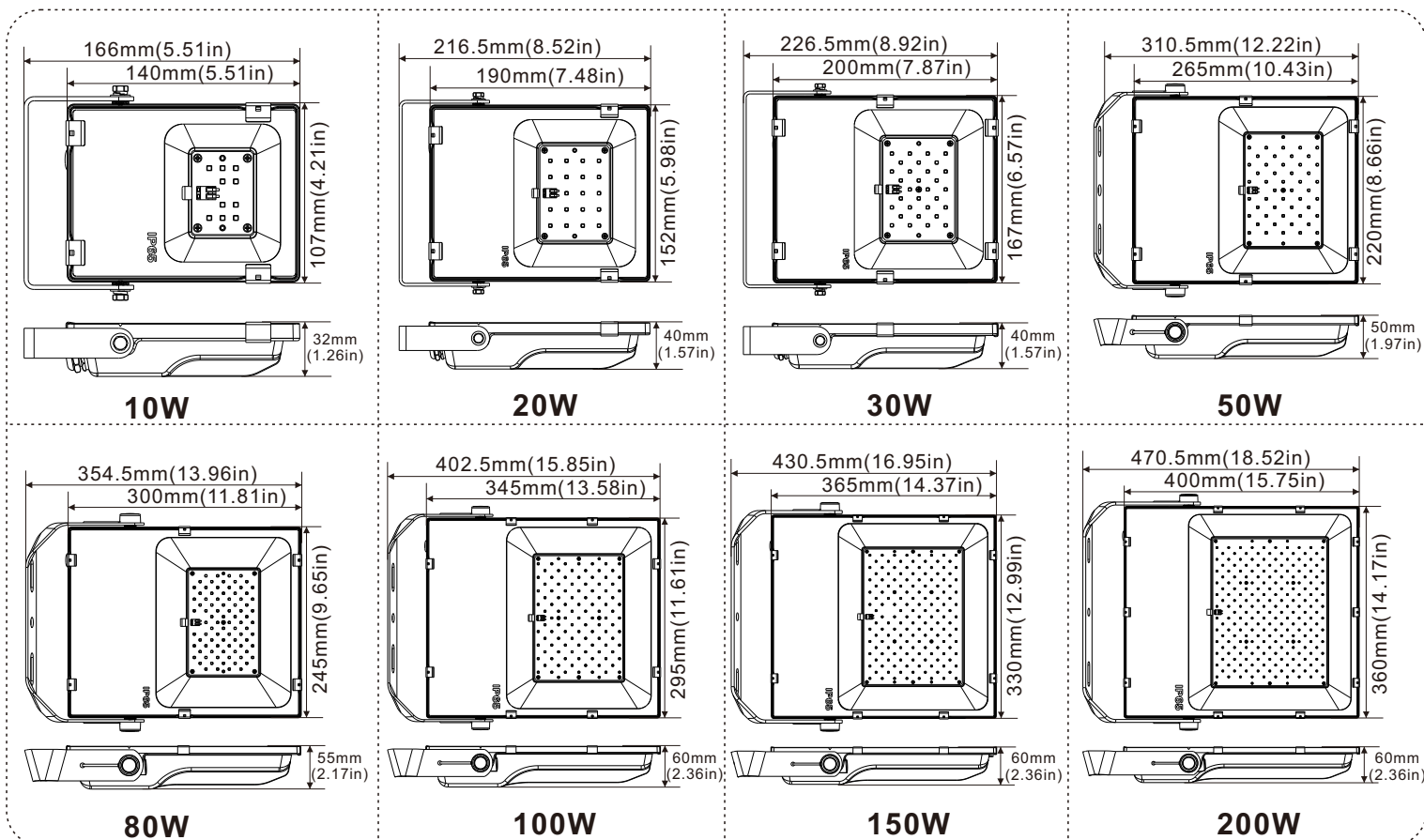
1. Stadiums Lighting.
2. Building Exterior Lighting.
3. Amusement Park Lighting.
4. Airport Lighting.
5. Bridge Lighting.
6. Tunnel Lighting.



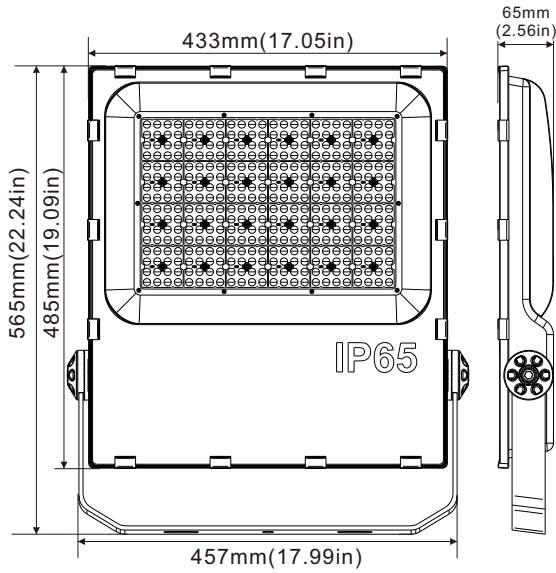
# SPECIFICATIONS

Power	10W	20W	30W	50W	80W	100W	150W	200W	300W	450W
Model	BB-FL-10W-E	BB-FL-20W-E	BB-FL-30W-E	BB-FL-50W-E	BB-FL-80W-E	BB-FL-100W-E	BB-FL-150W-E	BB-FL-200W-E	BB-FL-300W-E	BB-FL-450W-E
Luminous Flux	1200lm	2400lm	3600lm	6000lm	9600lm	12000lm	18000lm	24000lm	36000lm	54000lm
Replacement	MH 30W	MH 50W	MH 100W	MH 150W	MH 250W	MH 300W	MH 400W	MH 600W	MH 1000W	MH 1500W
Light Source	SMD LED									
Luminous efficiency	120lm/w									
Operation Temp.	-40 to +45°C									
CCT	2700K SW / 3000K WW / 4100K NW / 5000K DW / 5700K CW									
CRI	80									
Life Span	50,000 hours at 25°C									
Voltage	100-277VAC/50-60HZ									
Driver	UL listed power supply									
Beam Angle	Default: 120° Lens options(50W~200W): (No Electroplating)8°/15°/35°/60°/90°, (Electroplating)8°/15°/35° Lens Options(300W&450W): 30° /60° /90° /TYPE1-140*70° /TYPE2-70*150° /TYPE3-150*80° /TYPE4-50*140° /TYPE5-140*140°									
Cover	Black									
IP	65									
PF	>0.95									
Warranty	5Years									

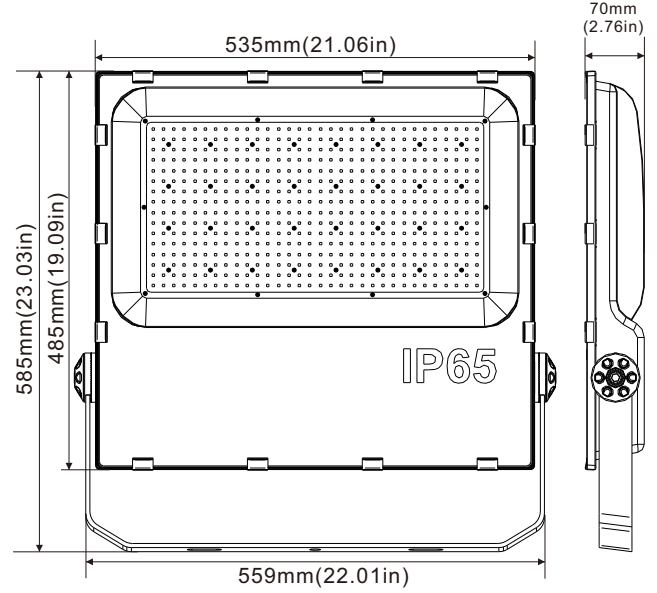
# DIMENSIONAL DRAWING







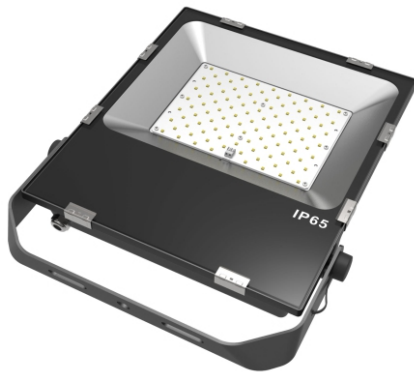
**300W**



**450W**

## PROJECTS

By using our 100W Flood Light to replace 300W Metal Halide bulb for Stadiums lighting fixtures, the customer is now able to save a lot per month from his electric bill.



Replace



**100W LED = 300W MH**

### Note:

- Don't take the LED lamp apart.
- The LED lamp must work under the right voltage according to the specification.

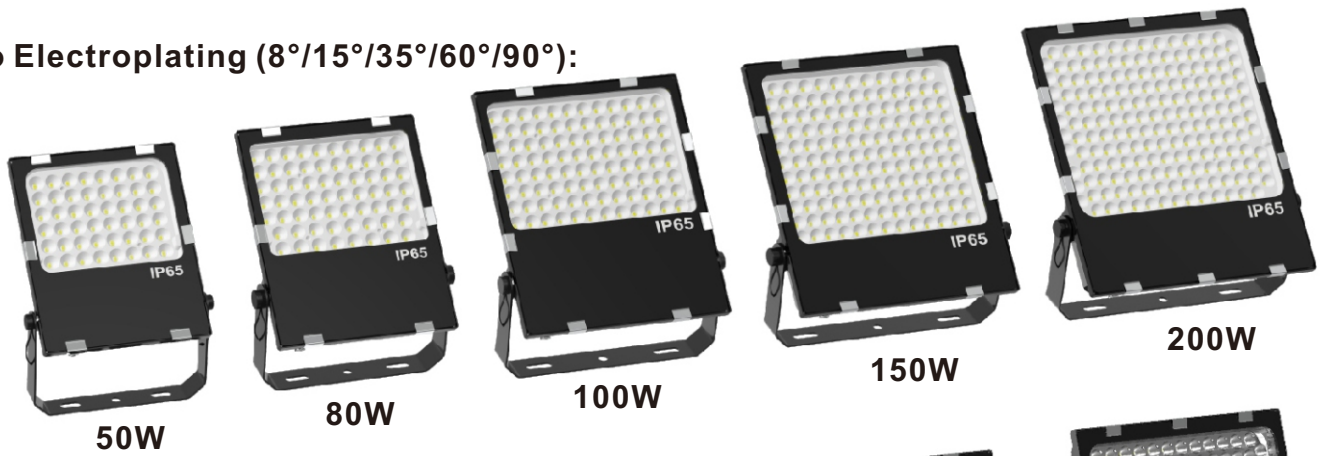
# LENS OPTIONS

The default cover is flat cover of 120°. If you need lens, please refer to the picture below.

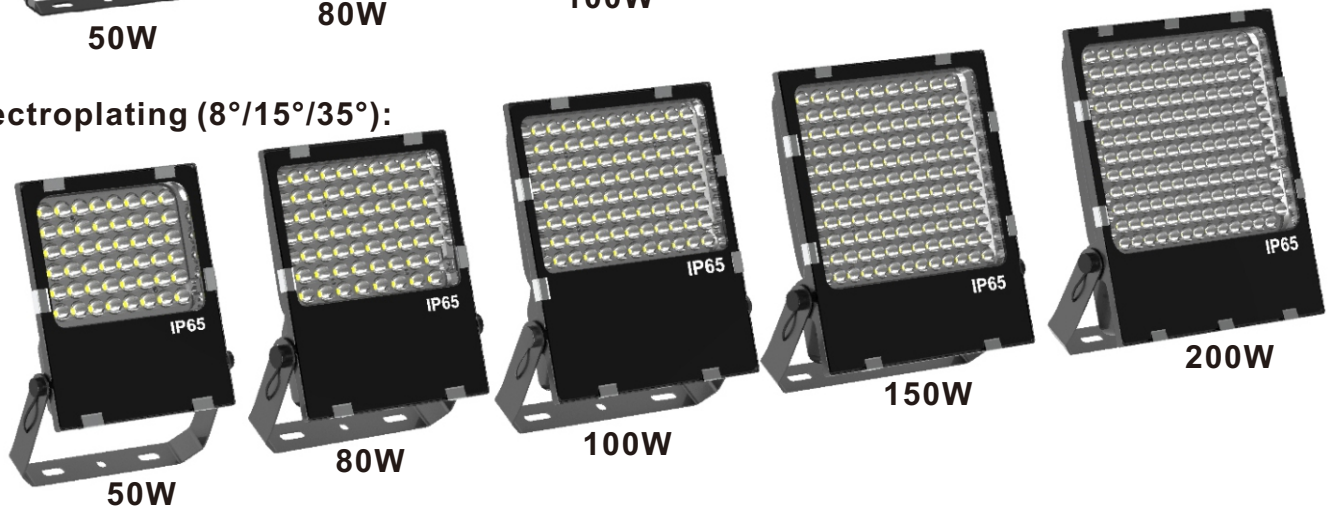
1. Just for 50W, 80W, 100W, 150W, 200W:

Lens Options: (No Electroplating) 8°/15°/35°/60°/90°, (Electroplating) 8°/15°/35°.

No Electroplating (8°/15°/35°/60°/90°):



Electroplating (8°/15°/35°):



2. Just for 300W, 450W:

Lens Options:

30° / 60° / 90°

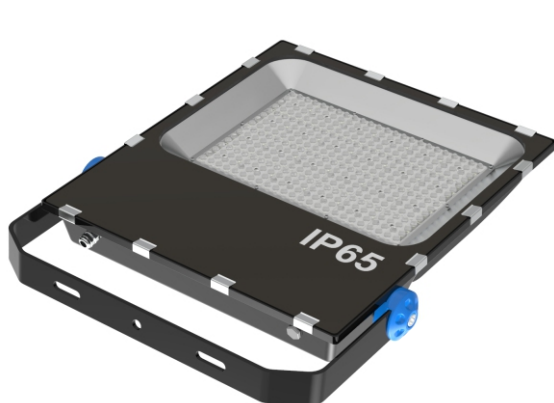
/TYPE1-140\*70°

/TYPE2-70\*150°

/TYPE3-150\*80°

/TYPE4-50\*140°

/TYPE5-140\*140°

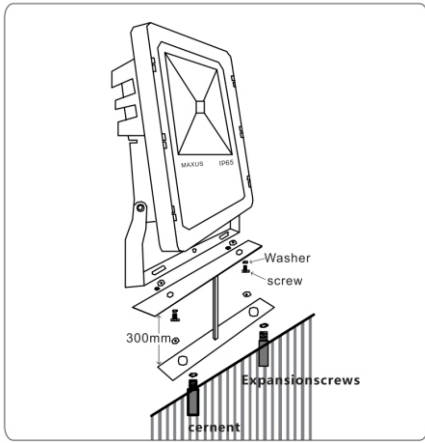


300W

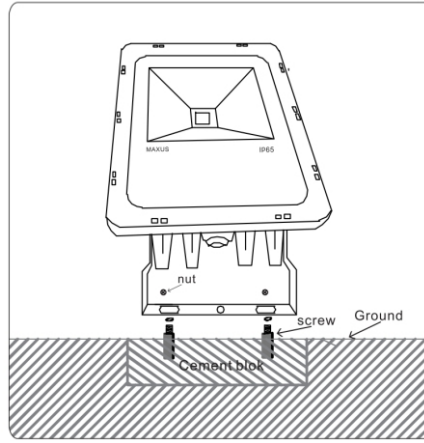


450W

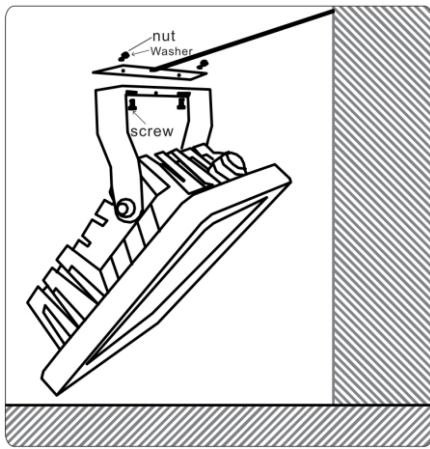
# INSTALLATION



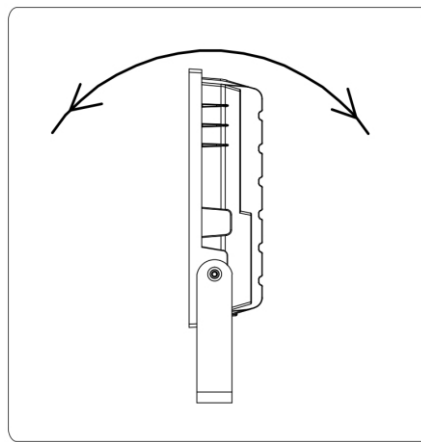
1. Install the lamp by the stand on the ground.



2. Install lamp directly.



3. Hang the lamp by the stand.



4. The angle of the lamp is adjustable.

# PACKING INFO



Packaging	Carton Size(mm) (L*W*H)	N.W	G.W	Volume weight
36pcs/CTN(10W)	425*415*255mm	18.0kg	28.8kg	11.0kg
20pcs/CTN(20W)	515*380*260mm	20.0kg	24.0kg	12.0kg
20pcs/CTN(30W)	535*405*260mm	30.0kg	36.0kg	13.5kg
8pcs/CTN(50W)	530*365*255mm	16.0kg	17.6kg	12.0kg
1pc/CTN(80W)	435*340*130mm	3.0kg	3.2kg	5.0kg
1pc/CTN(100W)	480*390*135mm	4.0kg	4.4kg	6.5kg
1pc/CTN(150W)	510*430*135mm	5.3kg	5.8kg	7.5kg
1pc/CTN(200W)	555*460*135mm	6.0kg	6.5kg	9.0kg
1pc/CTN(300W)	620*515*135mm	8.0kg	9.0kg	11.0kg
1pc/CTN(450W)	640*615*140mm	10.0kg	11.0kg	13.5kg