



## LED Gas Station Light BRIGHTEN YOUR LIFE

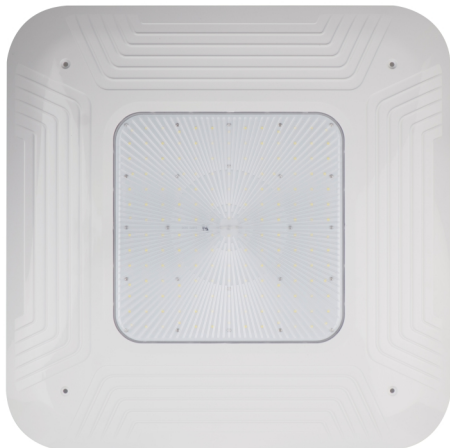
NEW LED TECHNOLOGY THAT ALLOWS THE  
COEXISTENCE OF ENVIRONMENTAL  
PROTECTION AND ENERGY SAVING

### Benefits

1. External UL listed power supply.
2. Replace conventional Gas Station Lights.
3. Precision Die Cast Aluminum Heat Sinks.
4. Fade Resistant Powder Coat Finish.
5. Easy & quick Installation.
6. External LED Driver (Junction Box Equipped, 3/4" NPT).
7. CE ROHS ETL listed.



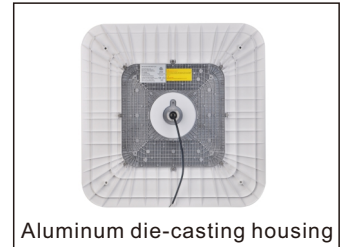
Intertek  
4010207



BB-CSD-150W-G2

## Features

1. Aluminum die-casting heat sinks is good for heat dissipation.
2. It's major to replace the conventional gas station light.
3. Green, energy saving, long and reliable life of 50,000 hours.
4. No RF interference, No IR/UV radiation ,no mercury pollution.
5. Wide colour availability in degrees Kelvin(K),2700-6700K.
6. Streamline exterior design, beautiful appearance.
7. Environment friendly ,energy saving (70~80%).
8. Special circuit design, each LED work separately, avoiding the single broken LED influence problem.



## Application

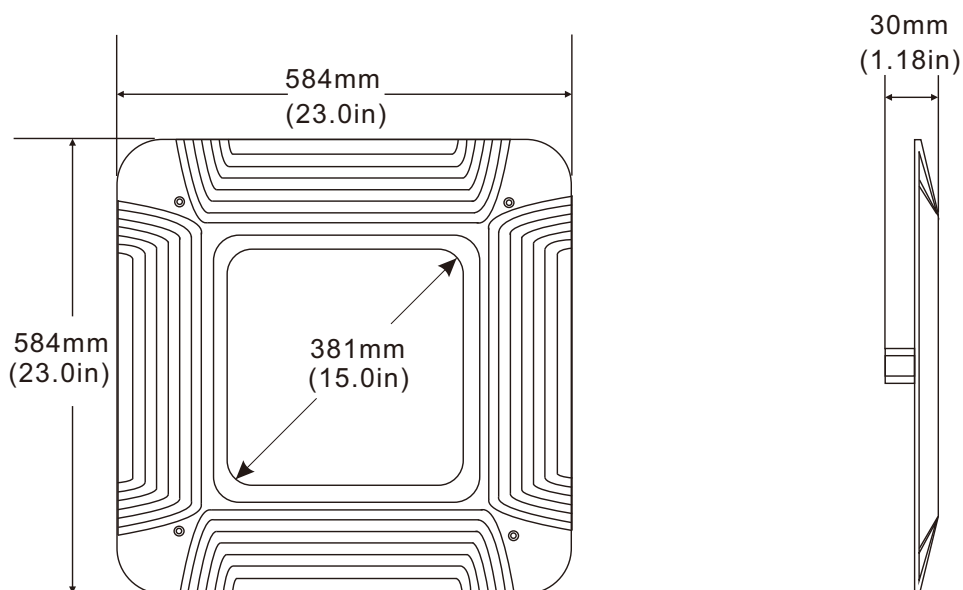
1. Gas station lighting.
2. Petroleum canopies lighting.
3. CNG fueling stations lighting.
4. Low-medium bay general lighting.
5. Soffits lighting.



# SPECIFICATIONS

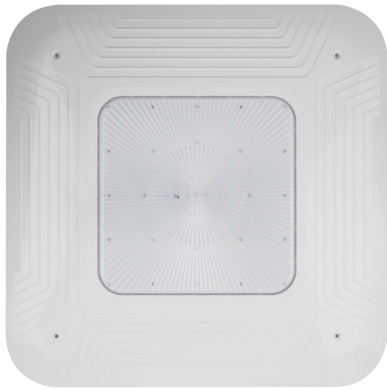
Power	150W
Model	BB-CSD-150W-G2
Luminous Flux	19000lm~20000lm
Replacement	HPS/HID 400W~600W
Light Source	SMD LED
Luminous Efficacy	130~140lm/w
Operation Temp.	-40 to +45°C
CCT	3000K WW / 4100K NW / 5000K DW / 5700K CW
CRI	70+
Life Span	50,000 hours at 25°C
Voltage	100-277VAC/50-60Hz 200-480VAC/50-60Hz Available
Driver	External LED Driver (Junction Box Equiped , 3/4" NPT)
Dimming	Available
Beam Angle	120°
PF	>0.95
Warranty	5Years

# DIMENSIONAL DRAWING



## PROJECTS

By using our 150W Gas Station Light to replace 500W Metal Halide bulb for traditional petrol station lighting in world filling station ,the customer is now able to save a lot per month from his electric bill.



Replace



**150W LED = 400W~600W HPS/HID**

### Note:

- Don't take the LED lamp apart.
- The LED lamp must work under the right voltage according to the specification.

## PACKING INFO



Packaging	Dimensions (L*W*H)	N.W	G.W	Volume weight
4pcs/Box	690*270*640mm	17.5kg	18.5kg	24.0kg